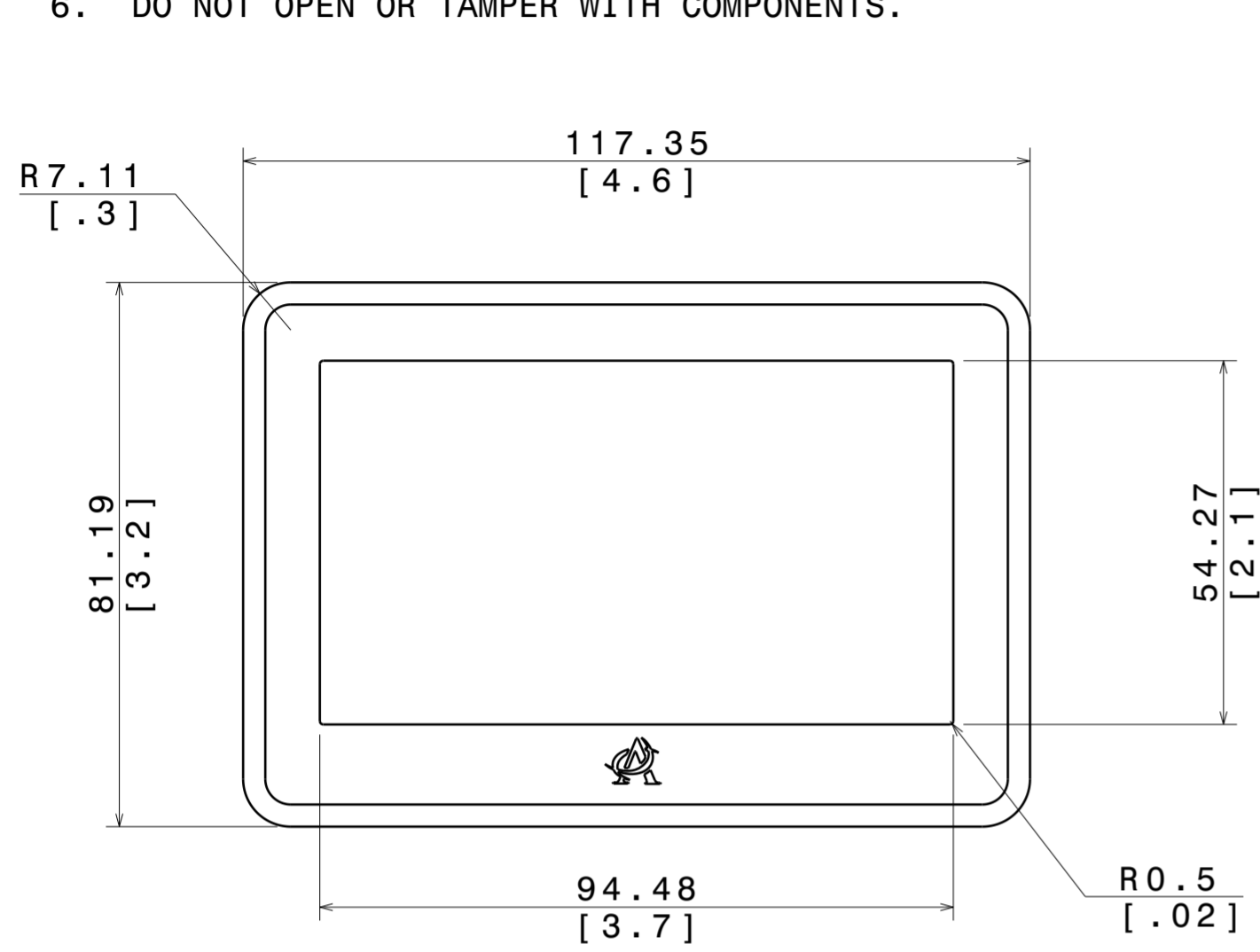
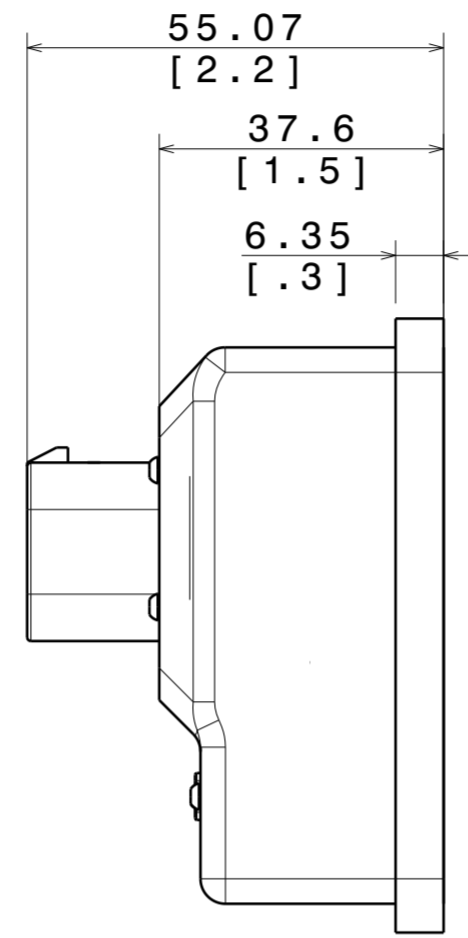


NOTES:

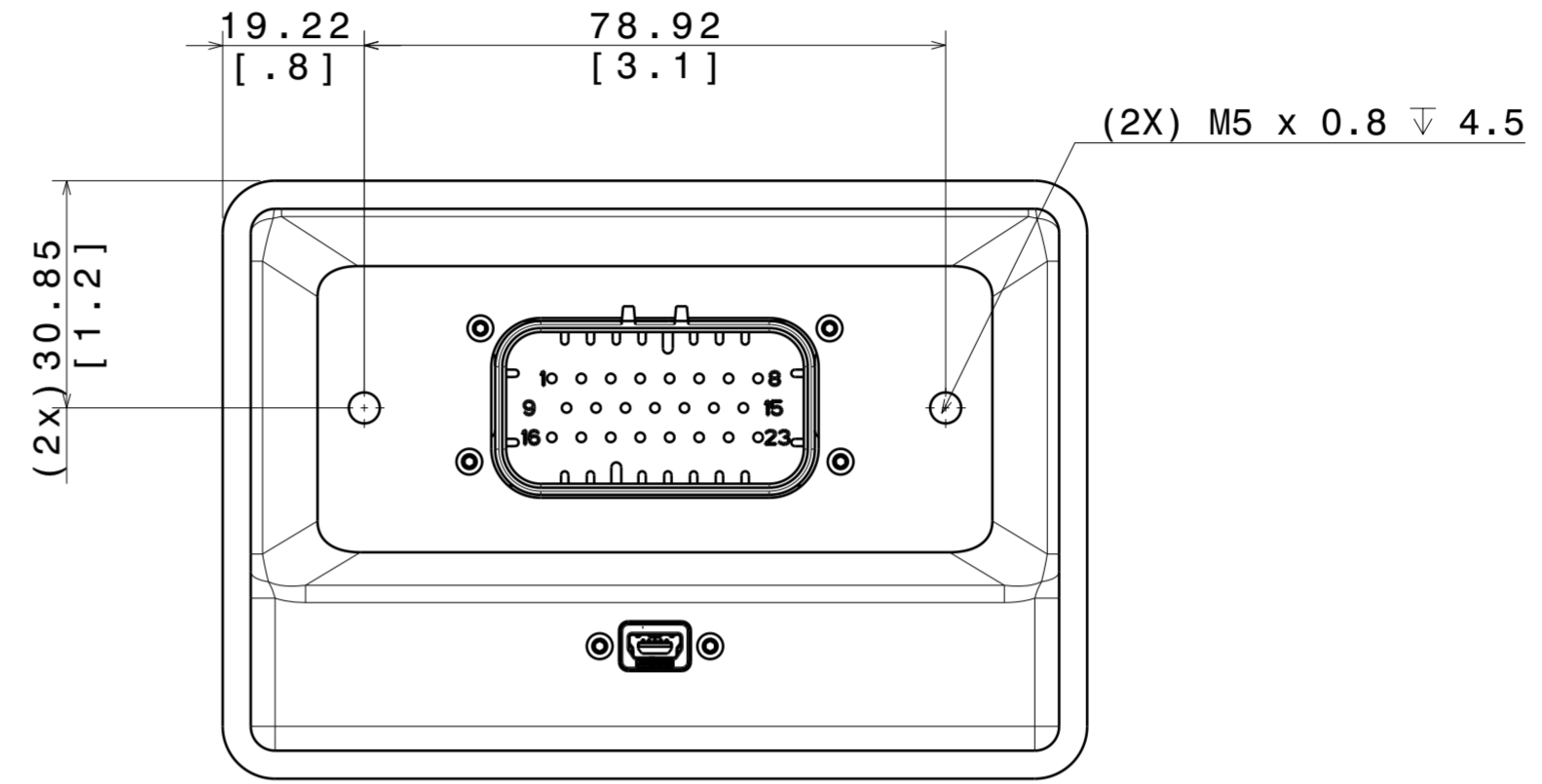
1. ENCLOSURE MATERIAL: AL 6061
2. FINISH: LIGHT POLISH, BLACK ANODIZE
3. REFER TO INTELLI-GAUGE.STP FOR DIMENSIONS NOT SHOWN
4. LCD VIEWING AREA: 94.48 X 54.27
5. DIMENSIONS ARE MM [IN]
6. DO NOT OPEN OR TAMPER WITH COMPONENTS.



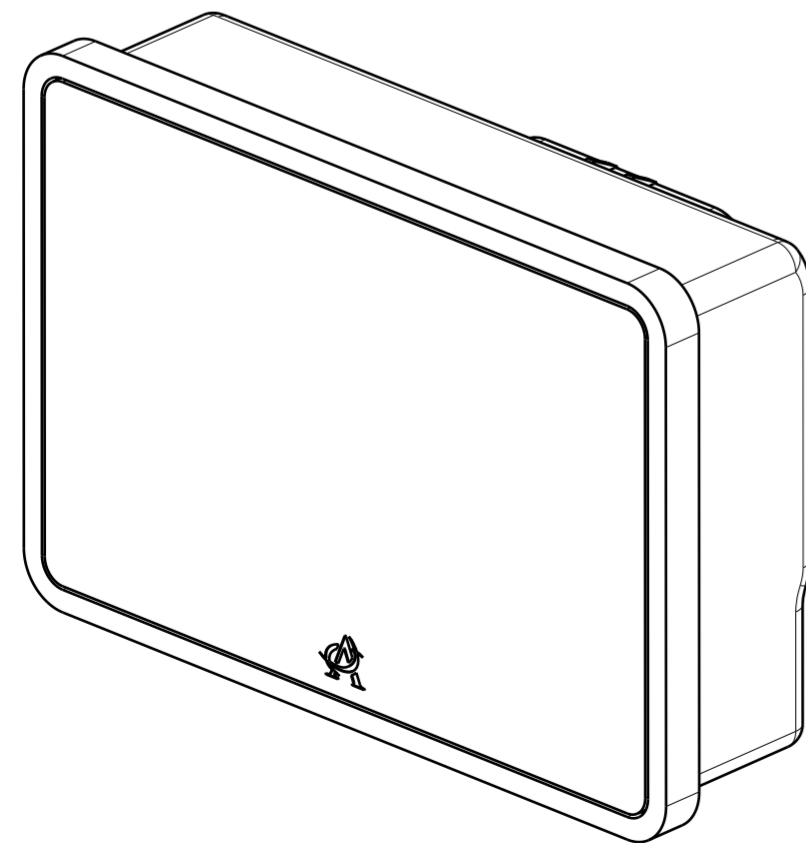
Front view
Scale: 1:1



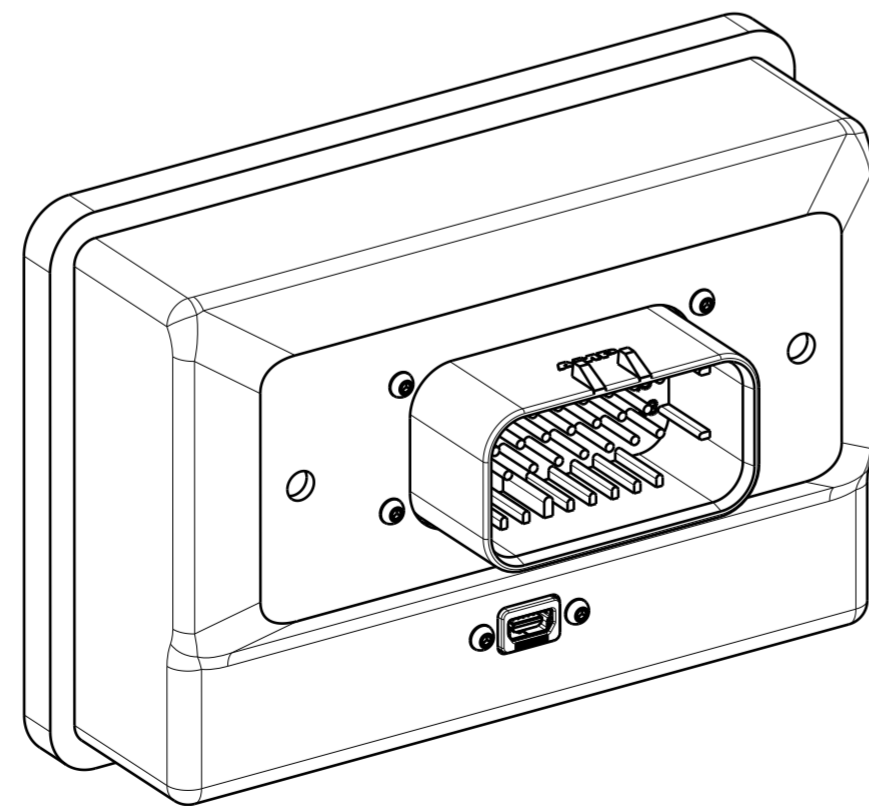
Left view
Scale: 1:1



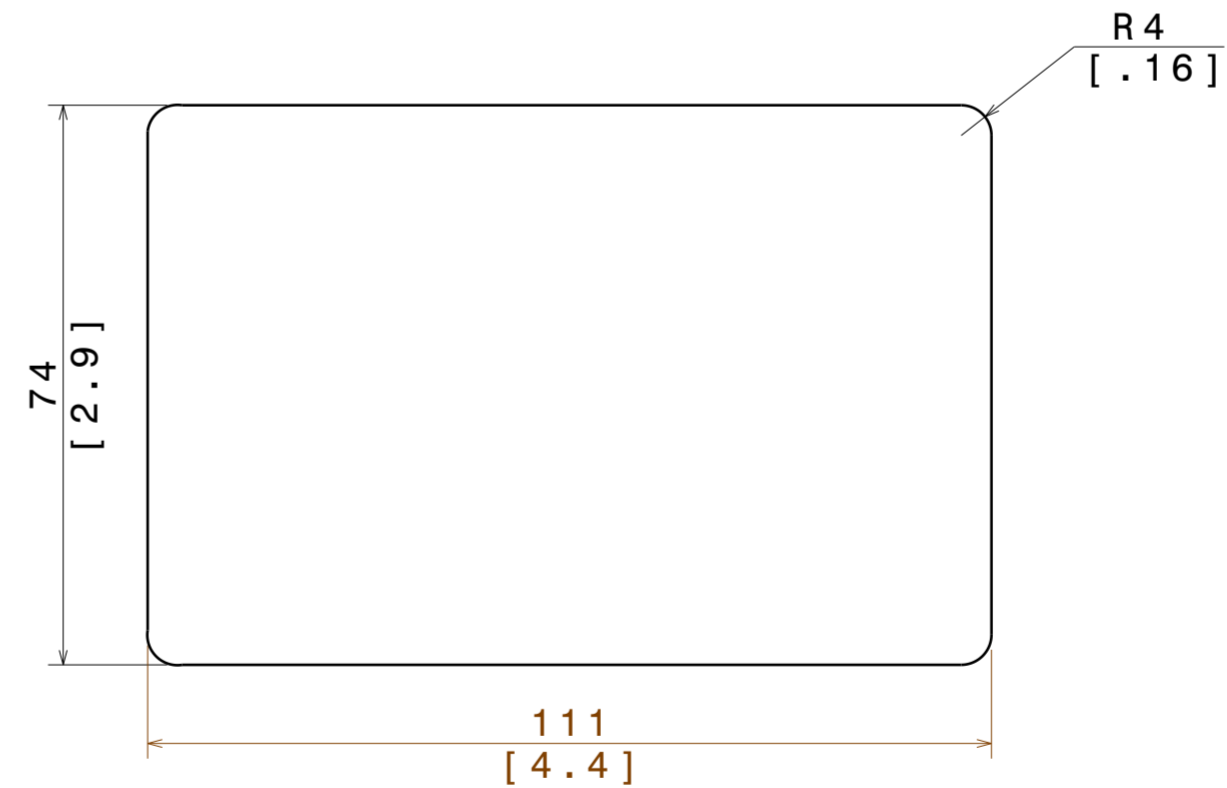
Rear view
Scale: 1:1



Isometric view
Scale: 1:1



Isometric view
Scale: 1:1



Panel Cut-out Dimensions for front installation.

UNLESS OTHERWISE SPECIFIED
DIMENSIONS AND TOLERANCES ARE IN MILLIMETERS.
INTERPRET PER ASME/ANSI Y14.4M-1982
TOLERANCES ARE:
FRACTIONS DECIMALS ANGLES
±1/32 .XX ±.1 ±0.5°
.XX ±.03
.XXX ±.010
SURFACE FINISH 125 ✓
DO NOT SCALE THIS DRAWING
BREAK ALL SHARP EDGES 0.25 MAX.
FILLET RADI 0.13 MAX.

DESIGNED BY:			I	-
DATE:	9/21/2017		H	-
CHECKED BY:			G	-
DATE:			F	-
SIZE:	A2		E	-
SCALE:	1:1	WEIGHT (kg): 0.12	D	-
DRAWING NUMBER: RE-SHIELD-X3		SHEET: 1/1	C	-
This drawing is our property; it can't be reproduced or communicated without our written agreement.			B	-
			A	-